
GARDNER DENVER®

15-516
4th Edition
APRIL, 2007

SINGLE ACTING TRIPLEX PUMP

MODEL

PZK

10" STROKE

PARTS LIST

Gardner

Denver

**MAINTAIN PUMP RELIABILITY AND PERFORMANCE
WITH GENUINE GARDNER DENVER®
PARTS AND SUPPORT SERVICES**

Gardner Denver® genuine pump parts are manufactured to design tolerances and are developed for optimum dependability. Design and material innovations are the result of years of experience with hundreds of different pump applications. Reliability in materials and quality assurance are incorporated in our genuine replacement parts.

Your authorized Gardner Denver distributor offers all the backup you'll need. A worldwide network of authorized distributors provides the finest product support in the pump industry. Your local authorized distributor maintains a large inventory of genuine parts and he is backed up for emergency parts issues with access to Oklahoma City, OK. and the factory in Quincy, IL.

Your authorized distributor can support all your Gardner Denver pump needs.

Trained parts specialists are available to assist you in selecting the correct replacement parts.

ALL ORDERS for PARTS should be placed with the NEAREST Authorized Distributor.

To find your nearest distributor you may use one of the following choices:

- * Log onto the Gardner Denver web site: www.gardnerdenver.com
- * Send an E-Mail request to: pumps@gardnerdenver.com
- * Contact one of our sales offices listed below.

The Gardner Denver Sales Offices are located as follows:

DOMESTIC

Gardner Denver
2200 South Prospect
Oklahoma City, OK. 73129

Phone: (405) 677-5736

Fax: (405) 677-5807

INTERNATIONAL

Gardner Denver
1800 Gardner Expressway
Quincy, IL 62301

Phone: (217) 222-5400

Fax: (217) 223-1581

INSTRUCTIONS FOR ORDERING REPAIR PARTS:

When ordering parts, specify Pump MODEL and SERIAL NUMBER (see nameplate on unit). The Serial Number is also stamped on top of the frame at the connecting end. (Between the cradle opening and the fluid cylinder)

SPECIFY THE NUMBER OF PARTS REQUIRED, EXACTLY.

DO NOT ORDER BY SETS OR GROUPS.

To determine the Right Hand and Left-Hand side of a pump, stand at the power end and look toward the fluid end. Right Hand and Left Hand are indicated in parenthesis following the part name, i.e. (RH) and (LH), when appropriate.

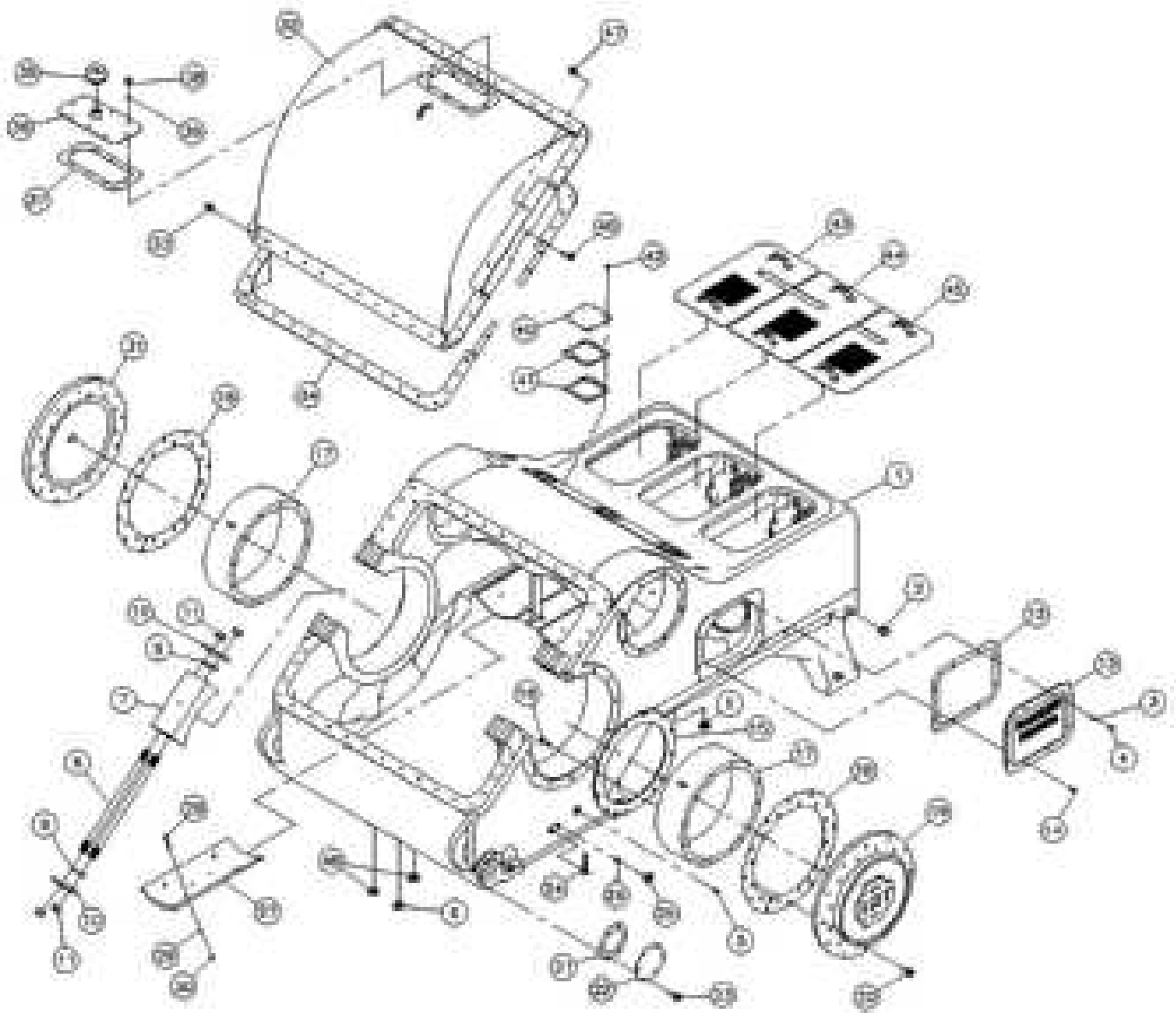
For Operating and Service Instructions see:

SERVICE MANUAL 15-600

TABLE OF CONTENTS

Maintain Pump Reliability and Performance with Genuine Gardner Denver Parts and Support Services.....	i
Instructions for Ordering Repair Parts.....	i
Table of Contents	ii
Frame Group & Miscellaneous Parts	1 & 2
Drive Parts.....	3 & 4
General Service, 5000 PSI, Wide Body™ Fluid Cylinder & Manifolds	5 & 6
High Pressure Service, 7500 PSI, Fluid Cylinder & Manifolds.....	7 & 8
Steel Fitted, Center Guided Valve (General Service)	
With Polyurethane Insert.....	9
With Carboxylated Insert.....	9
Full Open Valve – Special.....	10
Piston Rod & Coupling for 5000 PSI (Wide Body™)	11 & 12
Piston & Liner for 5000 PSI (Wide Body™)	11 & 12
Piston Rod & Coupling for 7500 PSI (High Pressure Service).....	13
Piston & Liner for 7500 PSI (High Pressure Service)	13
“Self Adjusting” Oil Stop Head Packing.....	14
Internal Oil Lubrication Piping	15 & 16
Sump Oil Filter.....	17
Sump Oil Circulating Pump	18
Piston Rod Wash Piping – 5000 PSI.....	19 & 20
Piston Rod Wash Piping – 7500 PSI.....	21 & 22
Individual Piston Rod Wash Piping – 7500 PSI	23
Piston Rod Wash Pump	24
Heat Exchanger Group (Optional Equipment)	25
Valve Seat Puller (Optional Equipment).....	26
Optional Equipment.....	27

FRAME & MISCELLANEOUS PARTS



Ref Drawing – 207PZL797

FOR LIST OF PARTS SEE PAGE 2

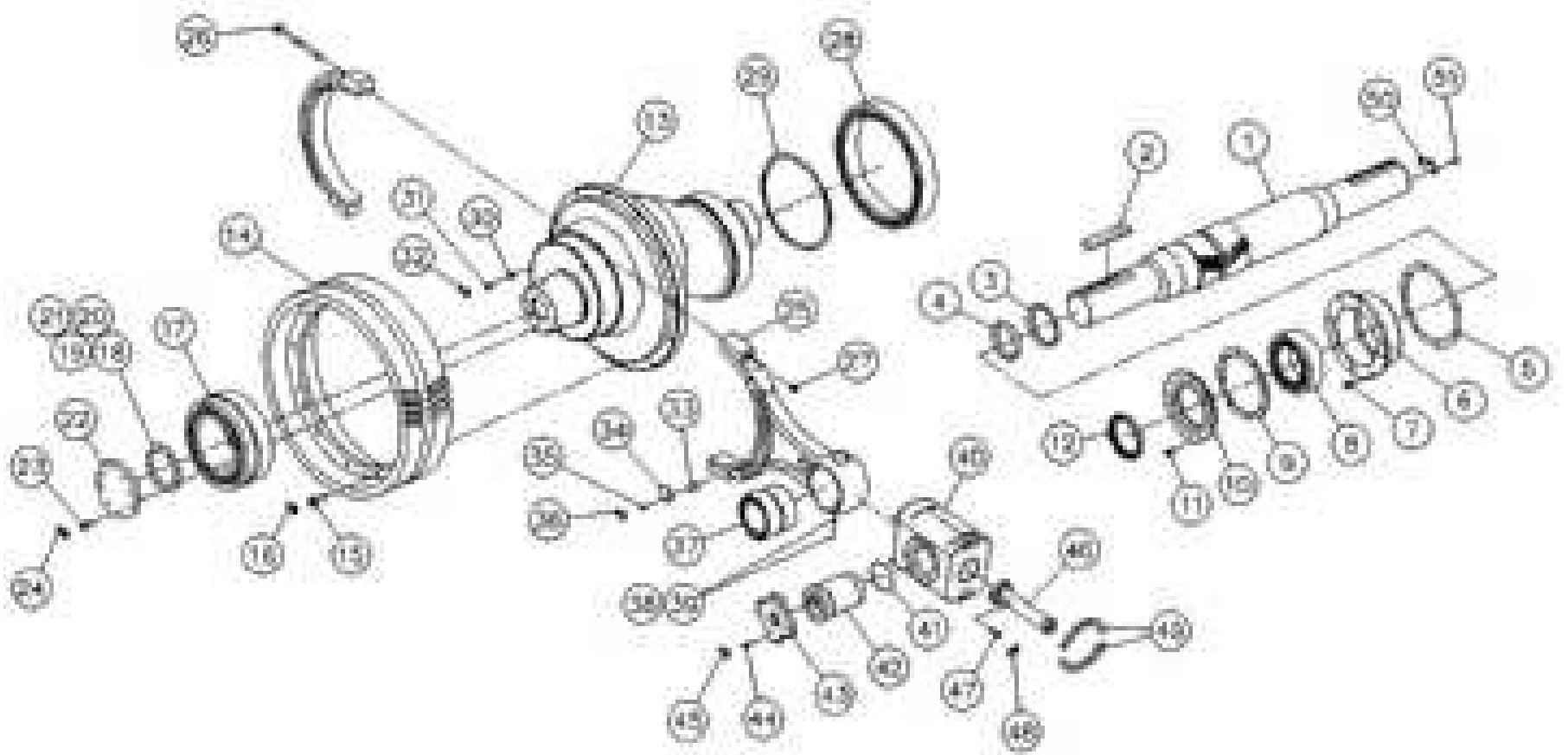
Order by Part Number and Description. Reference Numbers for your convenience only.

FRAME & MISCELLANEOUS PARTS

Ref. No.	Name of Part	Qty.	Part No.
	FRAME ASM, Includes Reference Numbers 1 thru 11	1	200PZL001A
1	FRAME	1	200PZL001
2	PLUG, Cradle Drain	1	64AA9
3	STUD, Crosshead Inspection Plate	4	79A238
4	NUT, Crosshead Inspection Plate	4	50B5
5	PLUG	1	64A5
6	PLUG-MAGNETIC, Sump Oil Drain	3	66D13
7	SPACER	2	200PZL144
8	STUD, Spacer to Frame	4	200PZL110
9	KEY, Spacer to Frame	4	35C24
10	PLATE, Spacer to Frame	4	200PZL247
11	NUT, Spacer to Frame Stud	8	50B37
12	GASKET, Crosshead Inspection Plate	2	200PZL715
13	PLATE-INSPECTION, Crosshead	2	200PZK052
14	SCREW, Crosshead Inspection Plate	16	655EE060
15	PLATE-RETAINER	1	202PZL253
16	SCREW, Bearing Retainer Plate	12	75A237
17	HOUSING-BEARING, Eccentric	2	201PZL006
18	GASKET, Bearing Cover Plate	2	202PZL715N
19	PLATE-BEARING COVER (Rigid Side)	1	200PZL315
20	SCREW, Bearing Cover Plate	44	75A52
21	GASKET, Inspection Plate	2	25C1788N
22	PLATE-INSPECTION	1	202FXT052
23	SCREW, Inspection Plate	6	655EF050
24	GAUGE, Oil Level Sight	1	40L17
25	GAUGE, Oil Temperature	1	27H11
26	BUSHING-PIPE	1	64E2
27	SLIDE-CROSSHEAD	6	200PZL309
28	SCREW, Crosshead Slide to Frame	24	75LM89
29	SEAL-FASTENER	12	60DD35
30	LOCKNUT	24	50V44
31	PLATE-BEARING COVER (Floating Side)	1	201PZL315
32	HOOD, Eccentric	1	200PZL053
33	SCREW, Hood to Frame	36	655EF050
34	GASKET, Hood	1	201PZL715
35	BREATHER	1	5C24
36	PLATE, Inspection	1	KXG842
37	GASKET, Inspection Plate	1	25C1818
38	SCREW, Inspection Plate	8	655EF040
39	GASKET, Inspection Plate Screw	8	25F13
40	PLATE-INSPECTION	3	206PZL052
41	GASKET, Inspection Plate	6	25C1839
42	SCREW, Inspection Plate	24	655ED040
43	COVER, Left Side Cradle Area	1	201PZL052
44	COVER, Middle Cradle Area	1	202PZL052
45	COVER, Right Side Cradle Area	1	203PZL052
46	SCREW, Hood to Main Bearing Spacer	4	655EG070
47	SCREW, Hood to Main Bearing Spacer	4	655EF200
48	PLUG, Sump	2	64A27

DRIVE PARTS

15-516 Page 3



Rer Drawing - 317PZL810

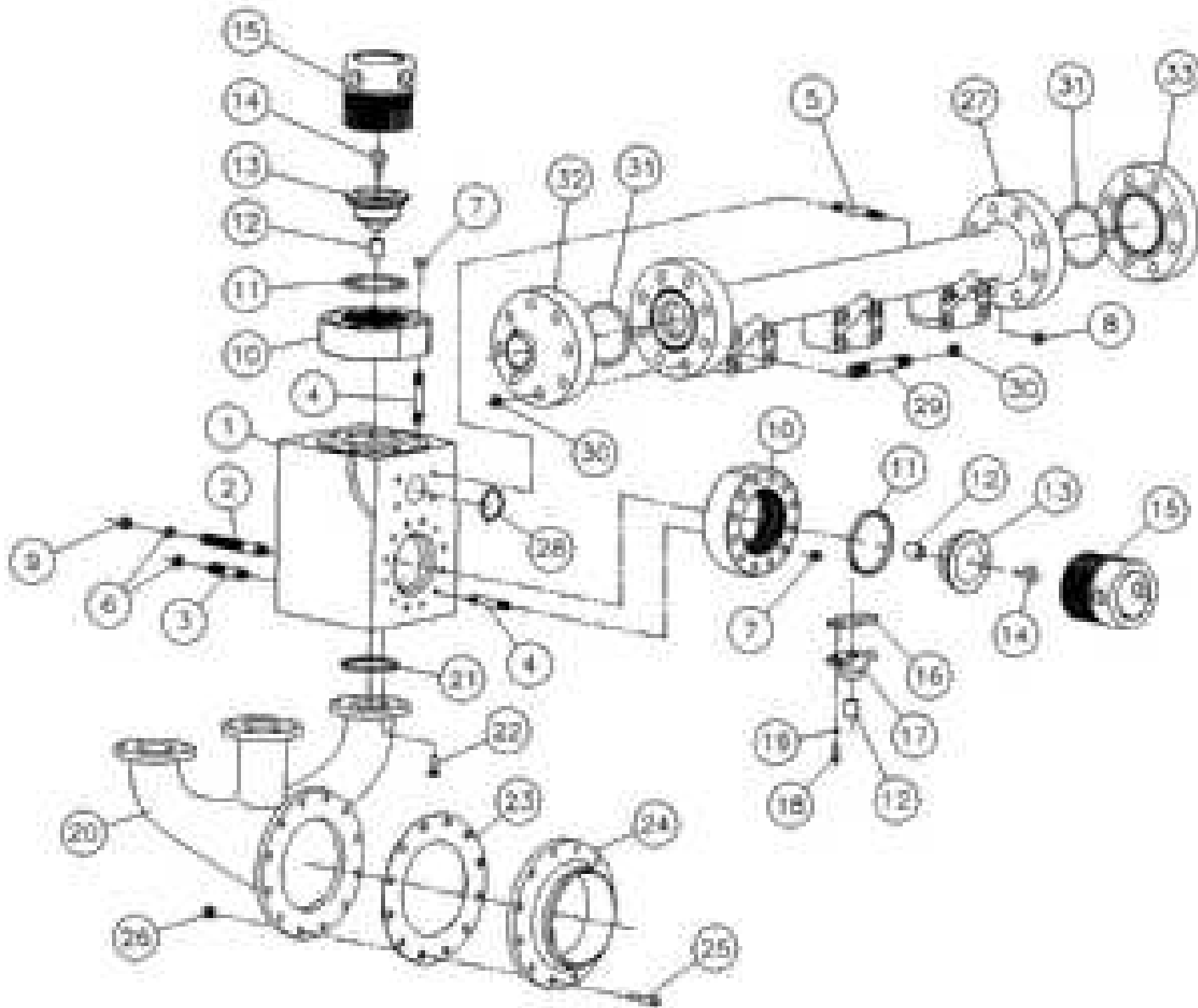
FOR LIST OF PARTS SEE PAGE 4

Order by Part Number and Description. Reference Numbers for your convenience only.

DRIVE PARTS

Ref. No.	Name of Part	Qty.	Part No.	Ref. No.	Name of Part	Qty.	Part No.
1	JACKSHAFT.....	1	200PZK371	27	NUT, Connecting Rod Bolt.....	6	50B34
2	KEY-JACKSHAFT.....	1	200PZL062	28	BEARING, Connecting Rod to Eccentric.....	3	12BA6
3	SPACER, Jackshaft Bearing.....	2	GXH649	29	RING-RETAINING, Connecting Rod Bearing.....	1	74D5
4	SLEAVE-WEAR.....	2	80M3	30	PLATE-RETAINING, Bearing to Eccentric.....	14	1PZ1400
5	GASKET, Bearing Housing to Frame.....	2	25BC11	31	SCREW, Bearing to Eccentric.....	14	655EF05D
6	HOUSING-BEARING.....	2	200PZL006	32	WIRE.....	672"	97A29
7	SCREW, Bearing Housing to Frame.....	16	75A52	33	PLATE-RETAINING, Bearing to Connecting Rod.....	22	PZ1400
8	BEARING-ROLLER, Jackshaft.....	2	12W73	34	PLATE-RETAINING, Bearing to Connecting Rod.....	2	203PZL253
9	GASKET, Retainer Plate to Bearing Housing.....	2	25BC12	35	SCREW, Bearing to Connecting Rod.....	48	75B41
10	PLATE, Bearing Retainer.....	2	201PZL253	36	WIRE.....	288"	97A29
11	SCREW, Retainer Plate to Bearing Housing.....	16	655EG070	37	BEARING-ROLLER, Crosshead Pin.....	3	12BA5
12	SEAL-OIL.....	2	60DD13	38	PIN-LOCK.....	3	PZ838
13	ECCENTRIC.....	1	200PZK255	39	SET SCREW.....	3	76F10
14	GEAR-DRIVEN.....	1	200PZK280	40	CROSSHEAD.....	3	200PZL005
15	SCREW, Gear to Eccentric.....	12	200PZL655	41	RING-RETAINING, Bearing.....	3	200PZL706
16	WIRE.....	144"	97A29	42	PIN-CROSSHEAD.....	3	200PZL189
17	BEARING-ROLLER, Eccentric.....	2	12BA4	43	PLATE-RETAINER, Crosshead Pin.....	3	206PZL168
18	SHIM (.002).....	6	201PZL732	44	SCREW, Crosshead Pin Retainer.....	24	75AG17
19	SHIM (.005).....	6	202PZL732	45	WIRE.....	120"	97A29
20	SHIM (.007).....	6	203PZL732	46	ROD-EXTENSION.....	3	302PZL839
21	SHIM (.020).....	8	204PZL732	47	SCREW, Rod to Crosshead.....	18	PV701
22	PLATE-RETAINER, Eccentric Bearing.....	2	200PZL168	48	WIRE.....	288"	97A29
23	SCREW, Retainer to Eccentric.....	16	75B148	49	PLATE-RETAINER, Oil Stop Head to Frame.....	6	202PZL168
24	WIRE.....	48"	97A29	50	ADAPTOR, for Rotating Shaft.....	1	2PO1398
25	CONNECTING ROD.....	3	200PZL003	51	SCREW, Adapter to Shaft.....	2	655EF050
	Includes Ref. Numbers: 26 & 27.....			*	COVER, Jackshaft (Not Shown).....	1	200PZL490
26	BOLT-CONNECTING ROD.....	6	PZ890				

5000 PSI WIDE BODY™ FLUID CYLINDER & MANIFOLD



FOR LIST OF PARTS SEE PAGE 6

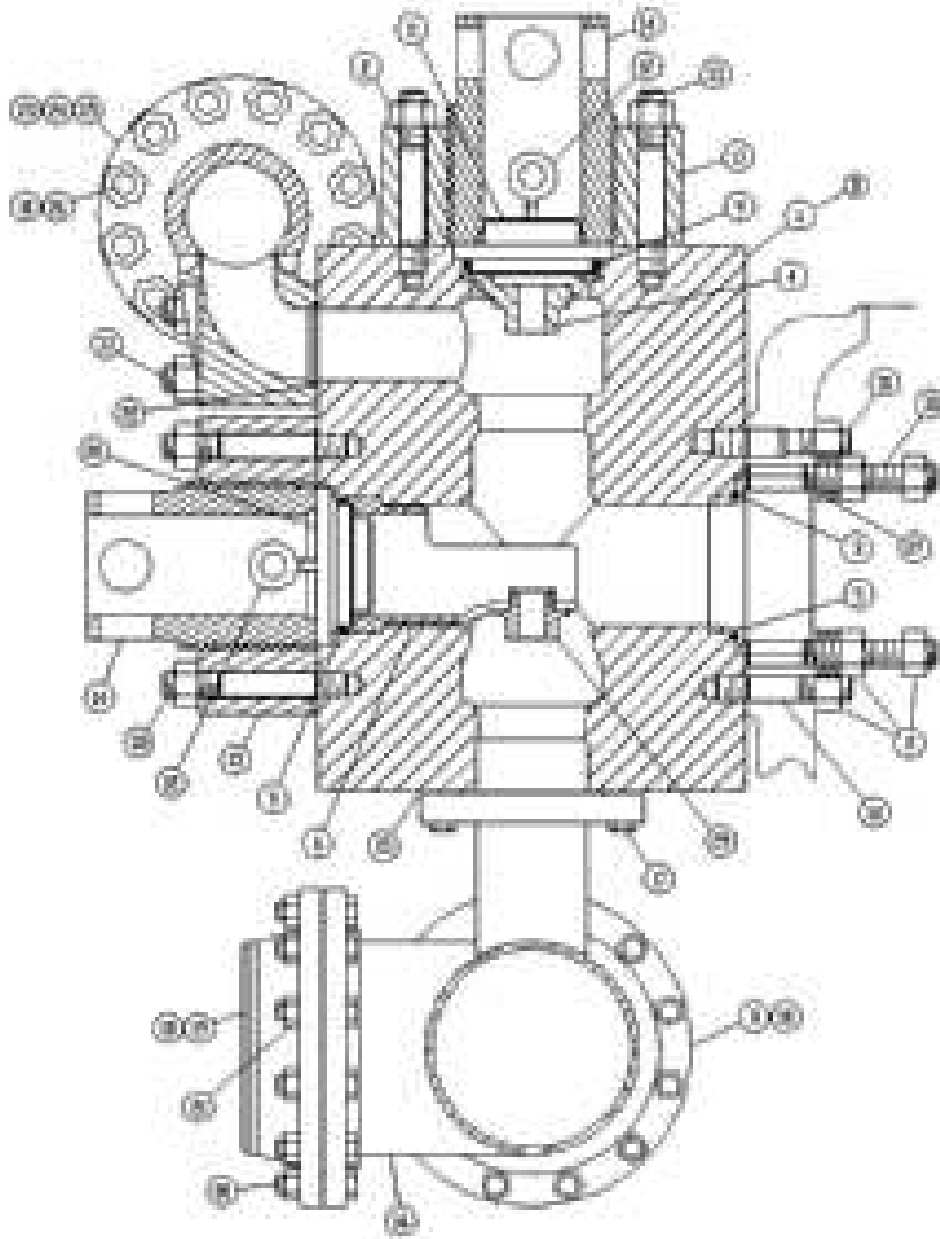
Ref Drawing – 208PZL797

Order by Part Number and Description. Reference Numbers for your convenience only.

GENERAL SERVICE FLUID CYLINDER & MANIFOLDS – 5000 PSI

Ref. No.	Name of Part	Qty.	Part No.
	FLUID CYLINDER ASSEMBLY (Includes Reference Numbers 1 thru 5)	3	306PZL2039
	FLUID CYLINDER ASSEMBLY (Includes Reference Numbers 1 thru 9)	3	302PZL029B
1	CYLINDER-FLUID, 5000 PSI – WIDE BODY	3	302PZL029
2	STUD, Cylinder to Frame (Long).....	24	201PZL110
3	STUD, Cylinder to Frame (Short)	24	205PZL110
4	STUD, Valve Cover Ring to Cylinder	72	204PZL110
5	STUD, Cylinder to Discharge Manifold.....	12	202PZL110
6	NUT, Cylinder to Frame Stud	36	50B36
7	NUT, Valve Cover Ring to Cylinder Stud	72	50B34
8	NUT, Cylinder to Discharge Manifold Stud	12	50B34
9	NUT, Liner Clamp	24	50B36
10	RING-VALVE COVER	6	200PZL387
11	GASKET, Valve Cover	6	204PZL715
12	BUSHING, Suction Valve Guide	9	2007674
13	COVER-VALVE	6	200PZL147
14	BOLT-EYE	6	15P5
15	LOCK-COVER.....	6	301PZL587
16	PLATE-RETAINER.....	3	2011701
17	VALVE GUIDE ASSEMBLY, Includes Reference Numbers 12, 16, 18 & 19	3	200PZL483A
18	SCREW, Valve Guide to Retainer Plate.....	6	655EE06S
19	LOCKWASHER	6	95W2
20	MANIFOLD-SUCTION.....	1	200PZL069
21	GASKET, Suction Manifold to Cylinder.....	3	25BE41
22	SCREW, Suction Manifold to Cylinder	24	655EG08N
23	GASKET, Suction Manifold Flange	1	25C814N
24	FLANGE, Suction - Weldneck	1	64CU13
25	SCREW, Suction Flange to Manifold	12	75A150
26	NUT, Suction Flange to Manifold	12	50B9
27	MANIFOLD-DISCHARGE	1	201PZL071
28	GASKET, Discharge Manifold to Cylinder.....	3	25AL35
29	STUD, Discharge Manifold to Discharge Flange	16	209PZL110
30	NUT, Discharge Manifold to Discharge Flange.....	32	50AW11
31	GASKET, Discharge Manifold Flange	2	25V24
32	FLANGE, Discharge - Weldneck	1	64EB15
33	FLANGE, Discharge, Blind.....	1	64EB240

7500 PSI HIGH PRESSURE SERVICE FLUID CYLINDER & MANIFOLDS



Ref Drawing – 300PZL810

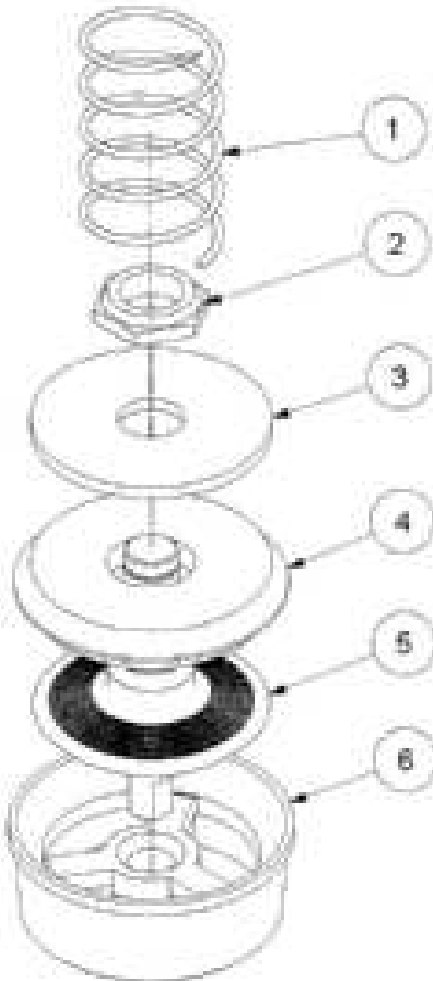
Order by Part Number and Description. Reference Numbers for your convenience only.

7500 PSI HIGH PRESSURE SERVICE FLUID CYLINDER & MANIFOLDS

Ref. No.	Name of Part	Qty.	Part No.
	FLUID CYLINDER ASSEMBLY - Includes the following five parts:	3	300PZL2039
1	FLUID CYLINDER.....	3	300PZL029
30	STUD, Liner Clamp.....	36	302PZL110
31	STUD, Fluid Cylinder to Frame Alignment (Upper).....	6	300PZL110
32	STUD, Fluid Cylinder to Frame (Lower).....	6	303PZL110
33	STUD, Valve Cover Retainer and Discharge Manifold.....	84	301PZL110
2	NUT.....	168	50B36
3	SEAL.....	3	303PZL316
4	VALVE GUIDE (Upper).....	3	302PZL483
5	WEAR RING.....	3	301PZL234
6	VALVE GUIDE RETAINER.....	3	301PZL205
8	FLANGE, Suction, Blind.....	2	2009671
9	SEAL.....	6	309PZL316
10	NUT.....	48	50AW61Z
11	VALVE COVER (Upper).....	3	302PZL147
12	EYE BOLT.....	6	15P27
13	VALVE COVER RING.....	6	300PZL387
14	COVER LOCK.....	6	300PZL587
15	GASKET.....	3	25BE41
16	SUCTION MANIFOLD.....	1	300PZL069
17	SCREW.....	24	655EG10N
18	RING GASKET.....	3	25C1154N
19	FLANGE, Weld Neck.....	1	64CU12
20	SCREW.....	36	75A150
21	NUT.....	36	50B9
22	SEAL.....	3	302PZL316
23	DISCHARGE MANIFOLD.....	1	302PZL071
24	GASKET.....	2	25BC638
25	FLANGE.....	2	64EB838
26	STUD, Discharge Flange.....	24	305PZL110
27	BUSHING.....	12	300PZL229
28	VALVE COVER (Lower).....	3	303PZL147
29	VALVE GUIDE (Lower).....	3	303PZL483

Order by Part Number and Description. Reference Numbers for your convenience only.

**STEM GUIDED VALVE – STEEL FITTED
(General Service – 5000 PSI)**



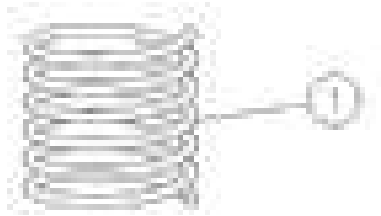
15-516 Page 9

Ref. No.	Name of Part	Qty.	Part No.
WITH POLYURETHANE INSERT			
	FLUID VALVE ASSEMBLY	6	202PZL482A
1	SPRING, Valve	6	78H44
2	LOCKNUT, Valve	6	50V27
3	WASHER, Valve	6	201PZL279
4	INSERT, Valve (Polyurethane).....	6	201PZL106
5	VALVE-FLUID.....	6	202PZL482
6	SEAT-VALVE.....	6	202PZL039

Ref. No.	Name of Part	Qty.	Part No.
WITH CARBOXYLATED NITRILE INSERT			
	FLUID VALVE ASSEMBLY	6	202PZL482B
1	SPRING, Valve	6	78H44
2	LOCKNUT, Valve	6	50V27
3	WASHER, Valve	6	201PZL279
4	INSERT, Valve (Carboxylated).....	6	202PZL106
5	VALVE-FLUID.....	6	202PZL482
6	SEAT-VALVE.....	6	202PZL039

Ref Drawing – 327PZL810

Order by Part Number and Description. Reference Numbers for your convenience only.



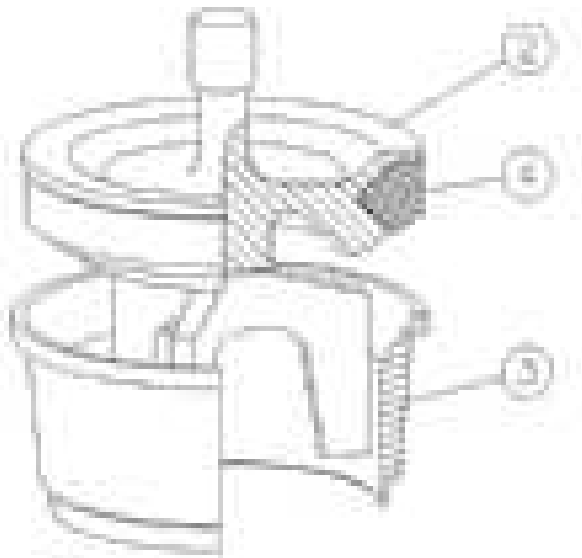
**FULL OPEN VALVE
(High Pressure Service – 7500 PSI)**

Ref.

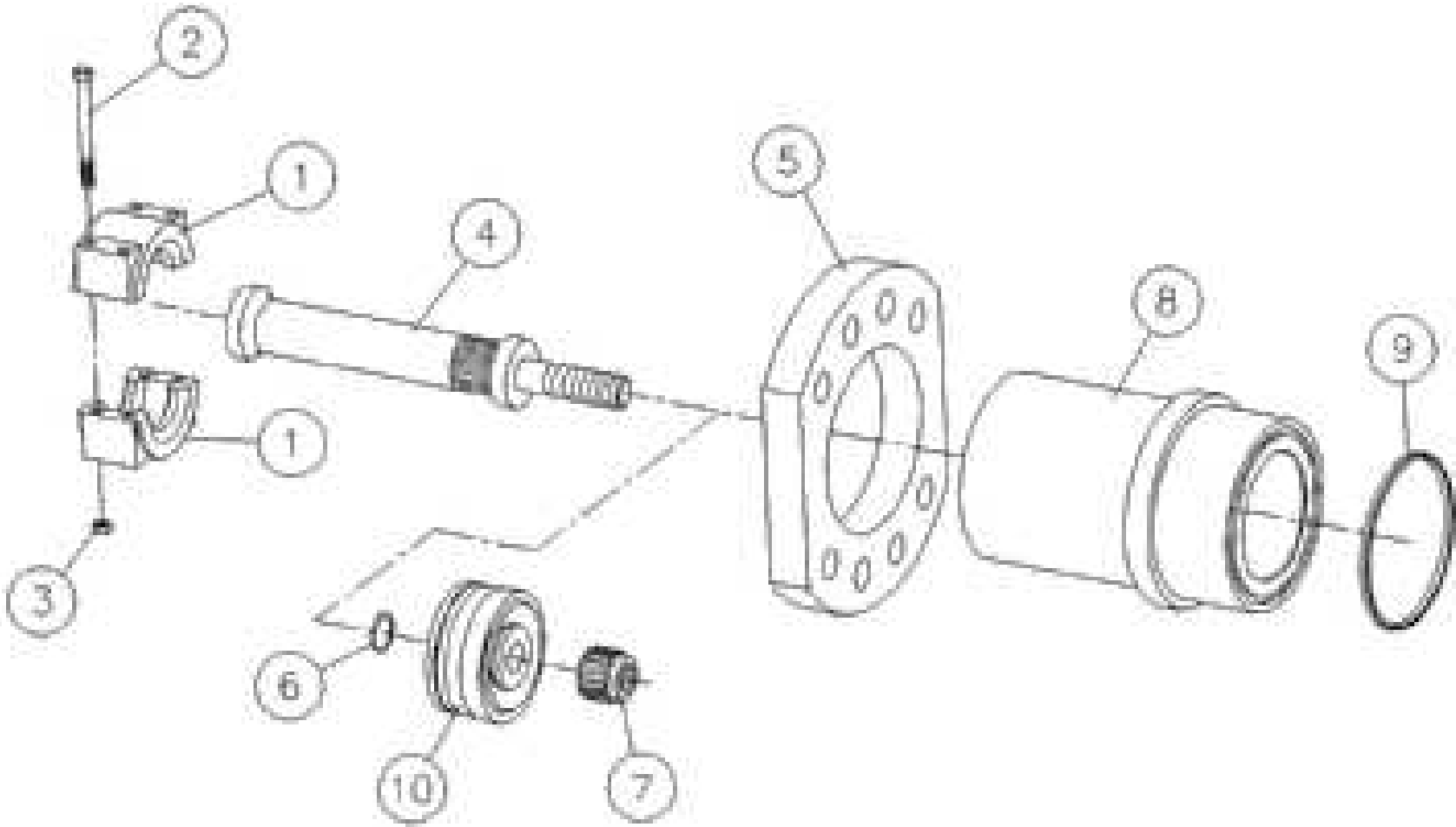
No. Name of Part

Qty. Part No.

Ref. No.	Name of Part	Qty.	Part No.
	FLUID VALVE ASSEMBLY	6	300PZL4030
1	SPRING, Valve	6	2117313
2	VALVE-FLUID (Includes Ref Number 4)	6	300PZL482
3	SEAT-VALVE	6	300PZL039
4	INSERT, Valve (Polyurethane).....	6	2117312



PISTON & LINER ASSEMBLY



15-516 Page 11

Ref Drawing - 324PZL810

FOR LIST OF PARTS SEE PAGE 12

Order by Part Number and Description. Reference Numbers for your convenience only.

**PISTON ROD & COUPLING
(General Service – 5000 PSI)**

Ref. No.	Name of Part	Qty.	Part No.
	PLUNGER COUPLING ASSEMBLY		
	Includes Ref. Numbers 1 Thru 4	3	200PZL4065
1	COUPLING, Plunger	6	201PZL092
2	SCREW, Coupling	12	655EE22S
3	LOCKNUT	12	50AW35
4	ROD-PISTON	3	200PZL060
5	CLAMP, Liner	3	200PZL455
6	O-RING	3	25AH1
7	NUT-LOCK	3	50V14
*	WRENCH	1	99L11

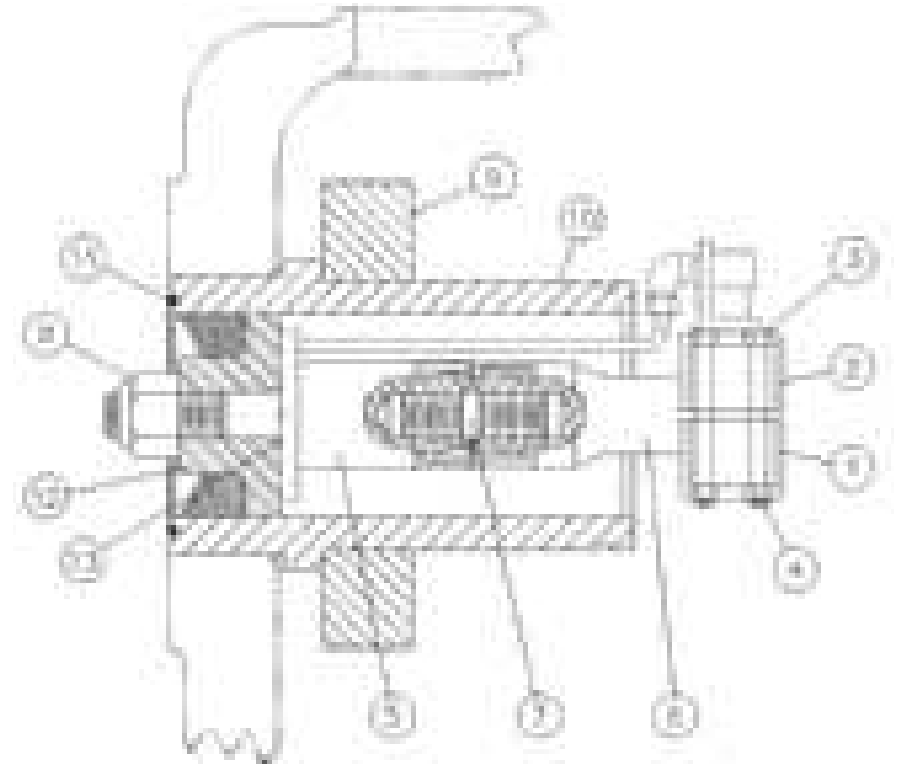
STANDARD PISTONS & LINERS

Ref. No.	Name of Part	Qty.	7.00" Part No.	6.50" Part No.	6.00" Part No.	5.50" Part No.
8	LINER-FLUID	3	200PZL456	201PZL456	202PZL456	203PZL456
9	GASKET, Liner	3	315PZL316	315PZL316	315PZL316	315PZL316
10A	PISTON, 1 piece composite (STD)	3	325PZL350	324PZL350	322PZL350	321PZL350
10B	PISTON, High Temperature (BLUE) ...	3	316PZL350	315PZL350	313PZL350	312PZL350
10C	PISTON, Water Service (Rubber)	3	310TBB350	309TBB350	307TBB350	306TBB350

Order by Part Number and Description. Reference Numbers for your convenience only.

PISTON ROD & COUPLING
(High Pressure Service – 7,500 PSI)

Ref. No.	Name of Part	Qty.	Part No.
	PLUNGER COUPLING ASSEMBLY		
	Includes Ref. Numbers 1, 2, 3 and 4.....	3	300PZL4065
1	COUPLING, Plunger – Top half	3	300PZL092
2	COUPLING, Plunger – Bottom half	3	201PZL092
3	SCREW – COUPLING	12	655EE22S
4	LOCKNUT – COUPLING SCREW	12	50AW35
5	PISTON ROD, Front.....	3	301PZL060S
6	PISTON ROD, Rear	3	302PZL060S
7	STUD, PISTON ROD	3	304PZL110
8	LOCKNUT.....	3	50V14
9	CLAMP – LINER.....	3	300PZL455
*	WRENCH.....	1	99L11

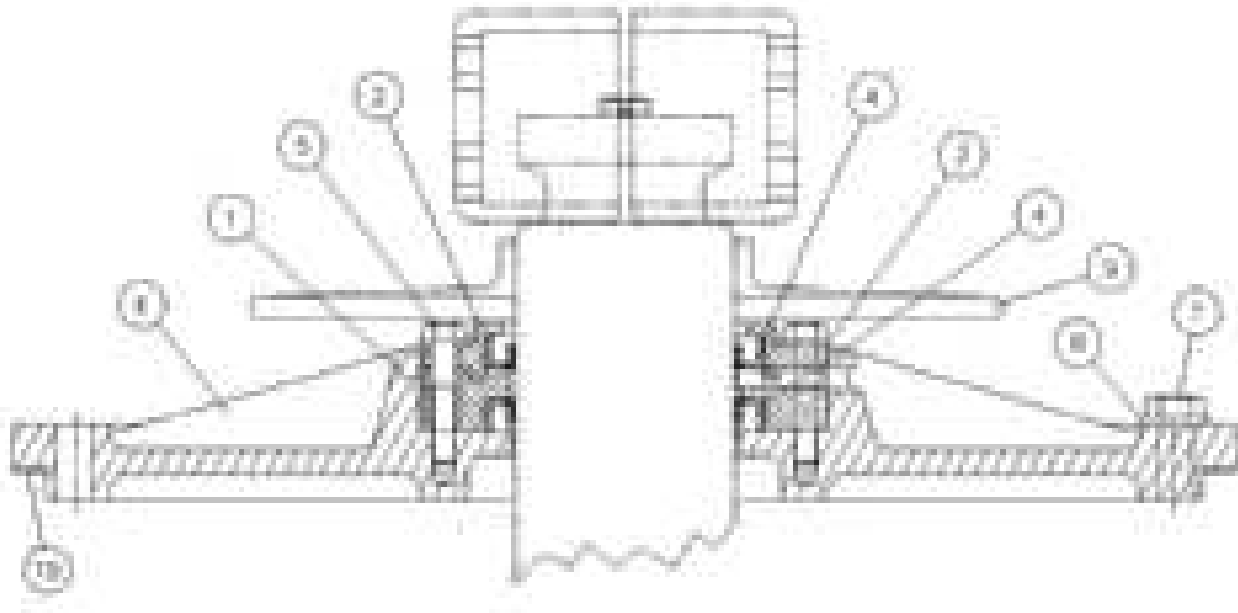


Ref Drawing – 329PZL810

PISTON & LINER
(High Pressure Service – 7,500 PSI)

Ref. No.	Name of Part	Qty.	6.50" Part No.	6.00" Part No.	5.50" Part No.	5.00" Part No.
10	LINER.....	3	300PZL4055	301PZL4055	302PZL4055	303PZL4055
11	GASKET, Liner	3	301PZL316	316PZL316	316PZL316	316PZL316
12	PISTON, 1 piece Composite.....	3	324PZL350	322PZL350	321PZL350	320PZL350
13	O-RING	3	25AH1	25AH1	25AH1	25AH1

Order by Part Number and Description. Reference Numbers for your convenience only.

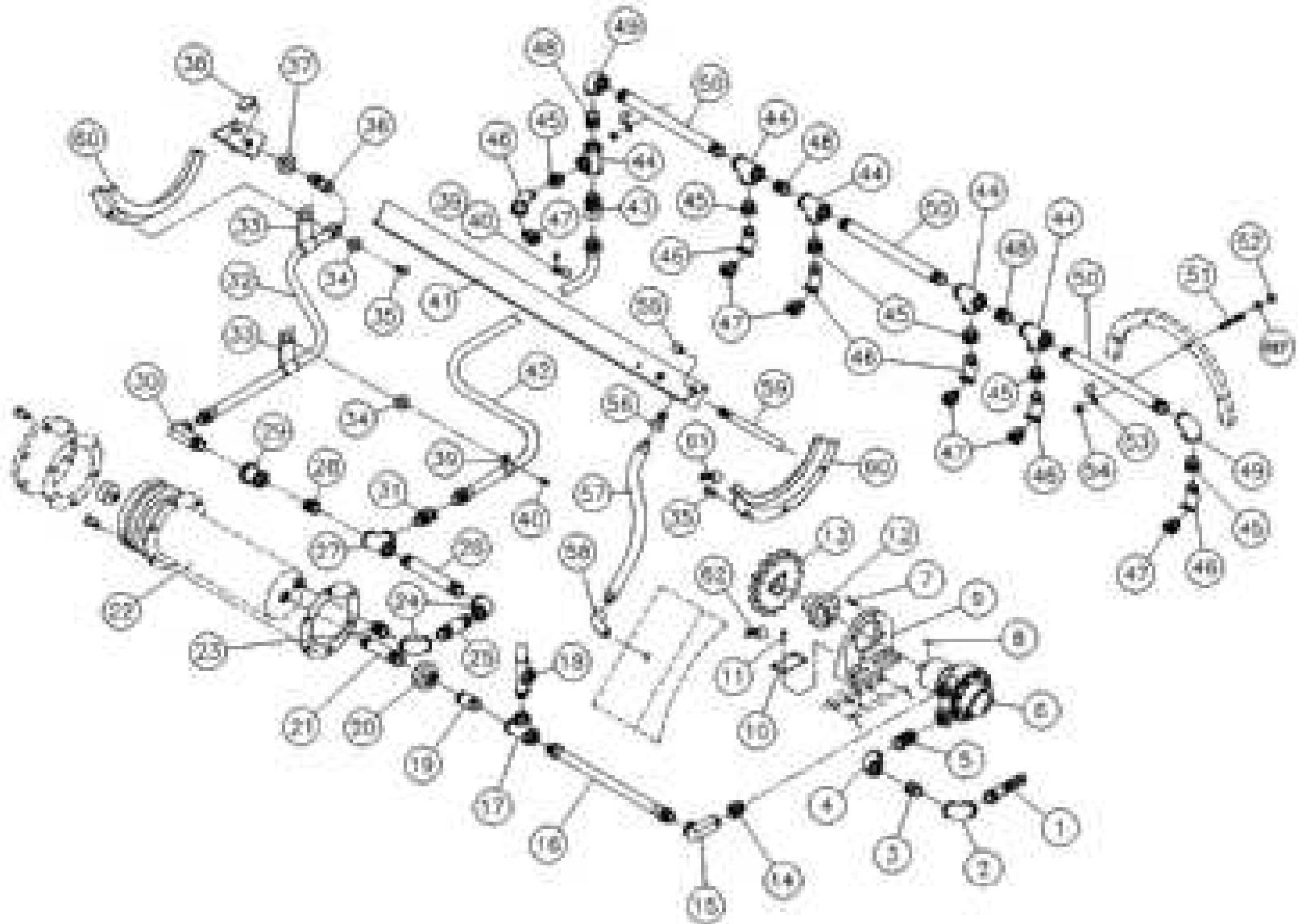


Ref Drawing – 319PZL810

“SELF ADJUSTING” OIL STOP HEAD PACKING ASSEMBLY

Ref. No.	Name of Part	Qty.	Part No.
	OIL STOP HEAD PACKING ASSEMBLY (Includes 1 thru 5)	3	301PZL4073
1	SEAL HOUSING – OIL STOP HEAD	1	300PZL362
2	SEAL HOUSING – OIL STOP HEAD	1	301PZL362
3	RETAINING PLATE – OIL STOP HEAD HOUSING	1	300PZL168
4	SEAL , Oil	2	2011872
5	SCREW	6	655ED08S
6	OIL STOP HEAD with WEEP HOLE	3	300PZL051
7	SCREW.....	22	655EE080
8	SEAL-FASTENER	24	25F9
9	BAFFLE	3	PZ840
10	GASKET	3	25BC13

INTERNAL OIL LUBRICATION PIPING



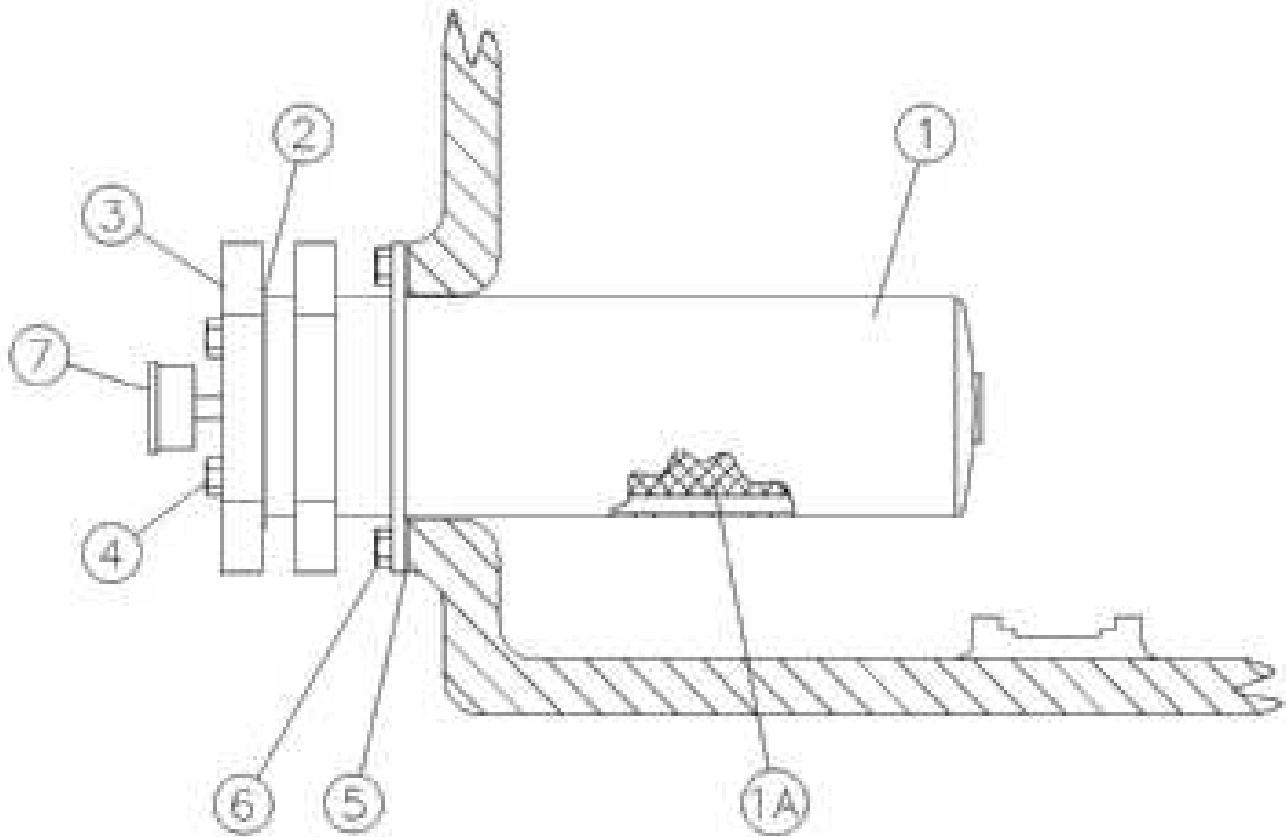
FOR LIST OF PARTS SEE PAGE 16

Order by Part Number and Description. Reference Numbers for your convenience only.

INTERNAL OIL LUBRICATION PIPING

Ref No.	Name of Part	Qty.	Part No.	Ref No.	Name of Part	Qty.	Part No.
1	SCREEN-OIL	1	3WAJ511	32	HYDRAULIC HOSE ASSEMBLY	1	29Z111
2	ELBOW-PIPE	1	64C8	33	CLAMP, Hose to Frame	2	PZ1301
3	NIPPLE-PIPE	1	63U24X16	34	WASHER.....	2	95A5
4	ELBOW-PIPE	1	64S12	35	SCREW, Jackshaft Bearing Oil Trough....	6	655EE03D
5	NIPPLE-PIPE	1	63H1	36	ADAPTOR	1	29Q16
6	PUMP-OIL.....	1	201PAH188	37	WASHER.....	3	95F10
7	SCREW	4	75A35N	38	ELBOW-PIPE	1	64C5
8	KEY	1	35D2	39	CLAMP, Hose.....	2	98H4
9	BRACKET, Oil Pump Mounting	1	200PZL170	40	SCREW	2	75LM150
10	PLATE, Oil Pump to Frame	1	PY526	41	TROUGH, Oil Feed	1	201PZL125
11	SCREW, Bracket to Frame.....	4	655ED05D	42	HYDRAULIC HOSE ASSEMBLY	1	PP1000609
12	BUSHING, Gear	1	22F12SD	43	ADAPTOR	1	29Q6
13	GEAR-DRIVEN, Oil Pump.....	1	201PZL280	44	TEE-PIPE	5	64G6
14	BUSHING-PIPE.....	1	64E36	45	BUSHING-PIPE.....	6	64E23
15	ADAPTOR.....	1	29Q17	46	ELBOW-PIPE	6	64X1
16	HYDRAULIC HOSE ASSEMBLY	1	29R125	47	NOZZLE	6	2009982
17	TEE-PIPE	1	64G7	48	NIPPLE-PIPE	3	63F21
18	PRESSURE RELIEF VALVE.....	1	90Q22	49	ELBOW-PIPE	2	64C4
19	NIPPLE-PIPE	1	63U12X16	50	NIPPLE-PIPE	3	63N8X160
20	UNION, Straight	1	64Z10	51	STUD.....	2	79H1
21	NIPPLE-PIPE	1	63U12X34	52	NUT.....	2	50B5
22	FILTER-OIL (See Page 20)	1	26C18	53	CLAMP	2	200PZL654
23	NIPPLE-PIPE	1	63U12X13	54	LOCKNUT	2	50V44
24	ELBOW-PIPE	2	64C5	55	SCREW, Trough to Frame	2	655EF040
25	NIPPLE-PIPE	1	63U12X22	56	ADAPTOR	2	29Q54
26	NIPPLE-PIPE	1	63U12X60	57	HYDRAULIC HOSE ASSEMBLY	2	29Z35
27	TEE-PIPE	1	123738	58	ELBOW-PIPE	2	64D4
28	NIPPLE-PIPE	1	63V8X11	59	NIPPLE-PIPE, Trough to Jackshaft.....	2	63AJ6X140
29	REDUCER-PIPE	1	64N25	60	TROUGH, Jackshaft Bearing Oil	2	202PZL125
30	ADAPTOR.....	1	29Q17	61	WIRE	96"	97A29
31	ADAPTOR.....	1	29Q6	62	WIRE	24"	97A29
				REF	SEAL-FASTENER	24	25F9

Order by Part Number and Description. Reference Numbers for your convenience only.

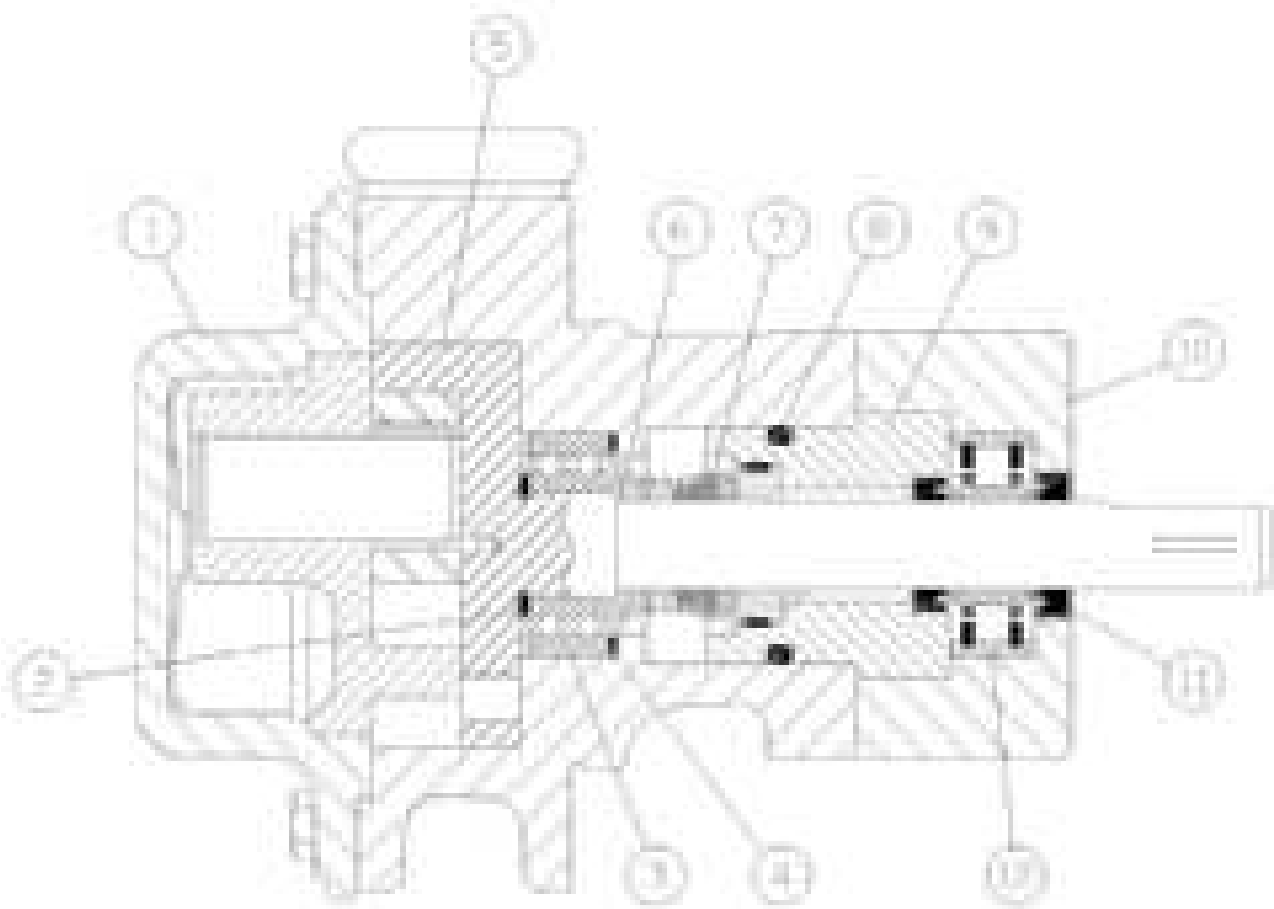


Ref Drawing - 323PZL810

OIL FILTER

Ref. No.	Name of Part	Qty.	Part No.
1	OIL FILTER ASSEMBLY, Includes Reference Nos. 1A thru 4	1	26C18
1A	ELEMENT ASSEMBLY, Includes Reference No. 3	1	5E30
2	GASKET	1	2109771
3	COVER	1	2109770
4	SCREW	4	75A54
5	GASKET, Filter to Frame.....	1	25C1788N
6	SCREW, Hex Cap, Filter to Frame.....	6	655EF050
7	GAUGE, Oil Pressure (100 psi).....	1	2009742

Order by Part Number and Description. Reference Numbers for your convenience only.

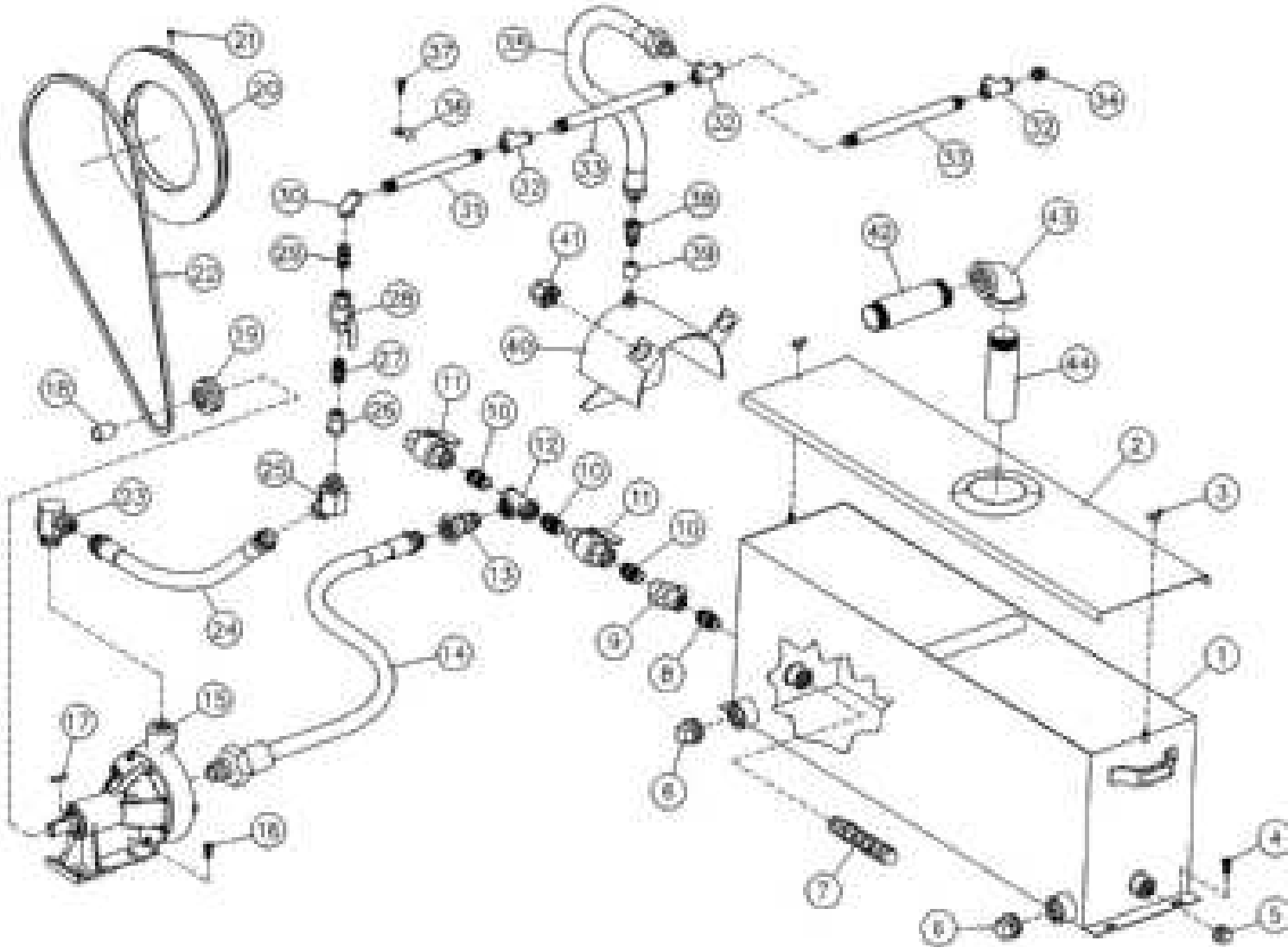


Ref Drawing – 305PXL799

SUMP OIL CIRCULATING PUMP

Ref. No.	Name of Part	Qty.	Part No.
	OIL PUMP ASSEMBLY	1	201PAH188
1	COVER	1	2010987
2	WASHER	1	2010992
3	BEARING-BALL.....	1	2010993
4	SHIM, Bearing	1	2010994
5	ROTOR	1	2010995
6	WASHER	1	2010996
7	SEAL, Mechanical	1	2109003
8	O-RING.....	1	2109004
9	PLUG, Housing.....	1	2010997
10	HOUSING, Bearing.....	1	2109005
11	SEAL, Bearing Housing.....	1	2010998
12	BEARING-ROLLER	1	2010999
*	PLUG, Suction Vent.....	1	2109000
*	PLUG, Discharge Vent	1	2109001
*	WASHER, Vent Plug	1	2109002

PISTON ROD WASH PIPING – 5000 PSI



15-516 Page 19

Rer Drawing – 325PZL810

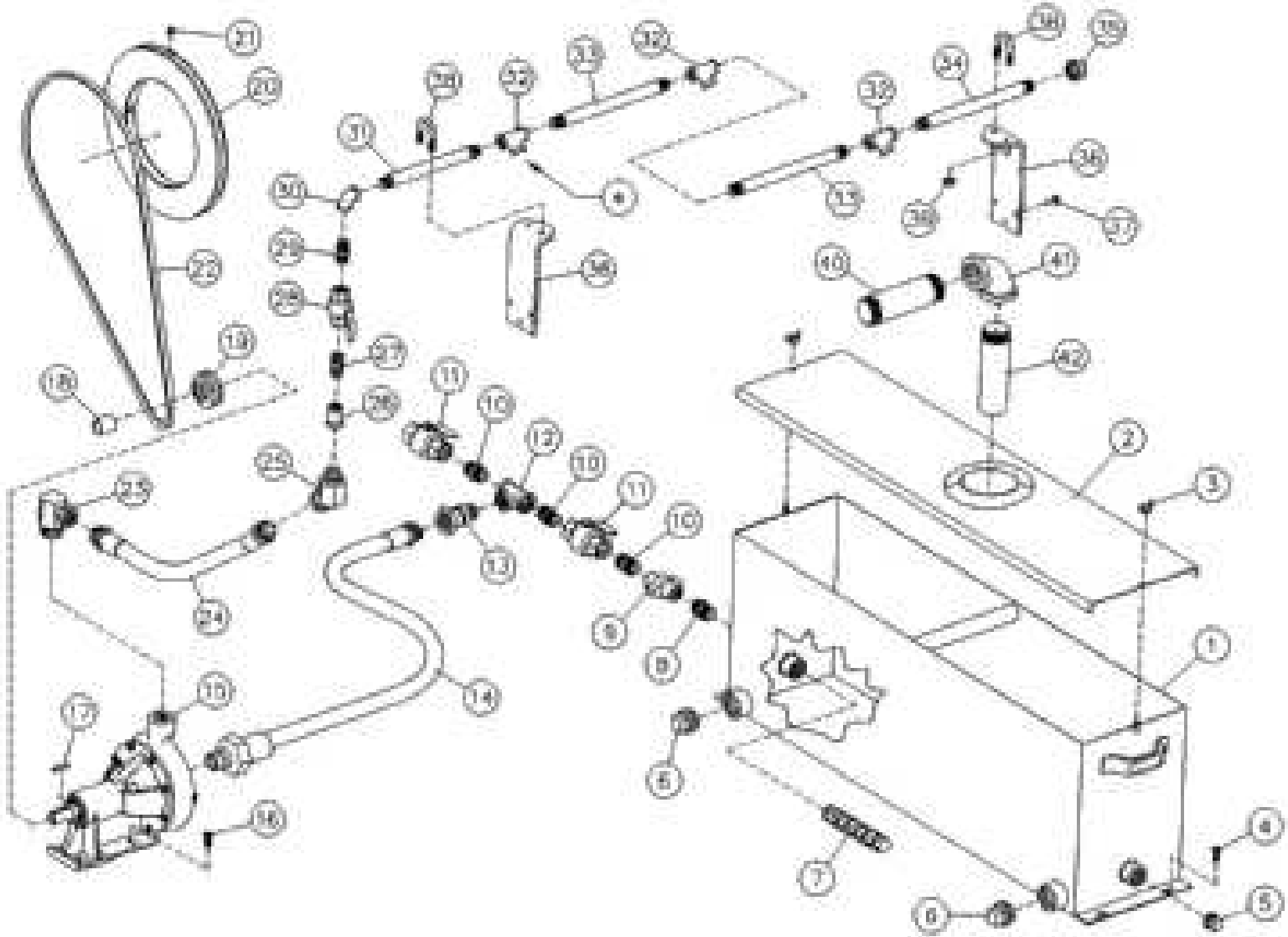
FOR LIST OF PARTS SEE PAGE 20

Order by Part Number and Description. Reference Numbers for your convenience only.

**PISTON ROD WASH PIPING
(General Service – 5000 PSI)**

Ref No.	Name of Part	Qty.	Part No.	Ref No.	Name of Part	Qty.	Part No.
1	TANK, Rod Wash Recovery.....	1	200PZL250	22	BELT.....	1	13C79
2	COVER, Rod Wash Tank.....	1	2012655	23	ADAPTOR-HOSE.....	1	29Q10
3	NUT-WING.....	2	50H1	24	HYDRAULIC HOSE ASSEMBLY.....	1	2009270
4	SCREW, Rod Wash Tank to Skid.....	4	75LM268	25	ADAPTOR-HOSE.....	1	29Q27
5	PLUG-PIPE.....	1	64A6	26	REDUCER-PIPE.....	1	64N3
6	PLUG-PIPE.....	2	64A7	27	NIPPLE-PIPE.....	1	63G1
7	SCREEN-OIL.....	1	2WAJ511	28	VALVE, Ball.....	1	90A35
8	NIPPLE-PIPE.....	1	63H25	29	NIPPLE-PIPE.....	1	63G1
9	UNION-HAMMER.....	1	64EB1	30	ELBOW-PIPE.....	1	64C5
10	NIPPLE-PIPE.....	3	63H25	31	NIPPLE-PIPE.....	1	63G9
11	VALVE, Ball.....	2	90AR299	32	TEE-PIPE.....	3	64P39
12	TEE-PIPE.....	1	64G8G	33	NIPPLE-PIPE.....	2	63N12X184
13	ADAPTOR-HOSE.....	1	29Q9	34	PLUG-PIPE.....	1	64A5
14	HYDRAULIC HOSE ASSEMBLY.....	1	29Z7	35	HYDRAULIC HOSE ASSEMBLY.....	3	29R31
15	PUMP, Rod Wash, (See Page 24)			36	CLAMP, Pipe.....	2	98H5
	Includes Reference Number 17.....	1	CA122	37	SCREW.....	2	75LM47
16	SCREW, Rod Wash Pump to Skid.....	4	75LM51	38	ADAPTOR-HOSE.....	3	29Q83
17	KEY.....	1	35B4	39	COUPLING-PIPE.....	3	64BK3
18	BUSHING-SHEAVE.....	1	22E16B	40	BAFFLE.....	3	200PZL840
19	SHEAVE.....	1	73K1A30	41	NUT-ACORN.....	6	50Q30
	SHEAVE ASSEMBLY (Items 20 & 21)	1	200PZL195A	42	NIPPLE-PIPE.....	1	63L28
20	SHEAVE.....	1	200PZL195	43	ELBOW-PIPE.....	1	64C9
21	SCREW-SET, Sheave.....	2	76F30	44	NIPPLE-PIPE.....	1	63AJ32X60

PISTON ROD WASH PIPING – 7500 PSI



15-516 Page 21

Rer Drawing – 326PZL810

FOR LIST OF PARTS SEE PAGE 22

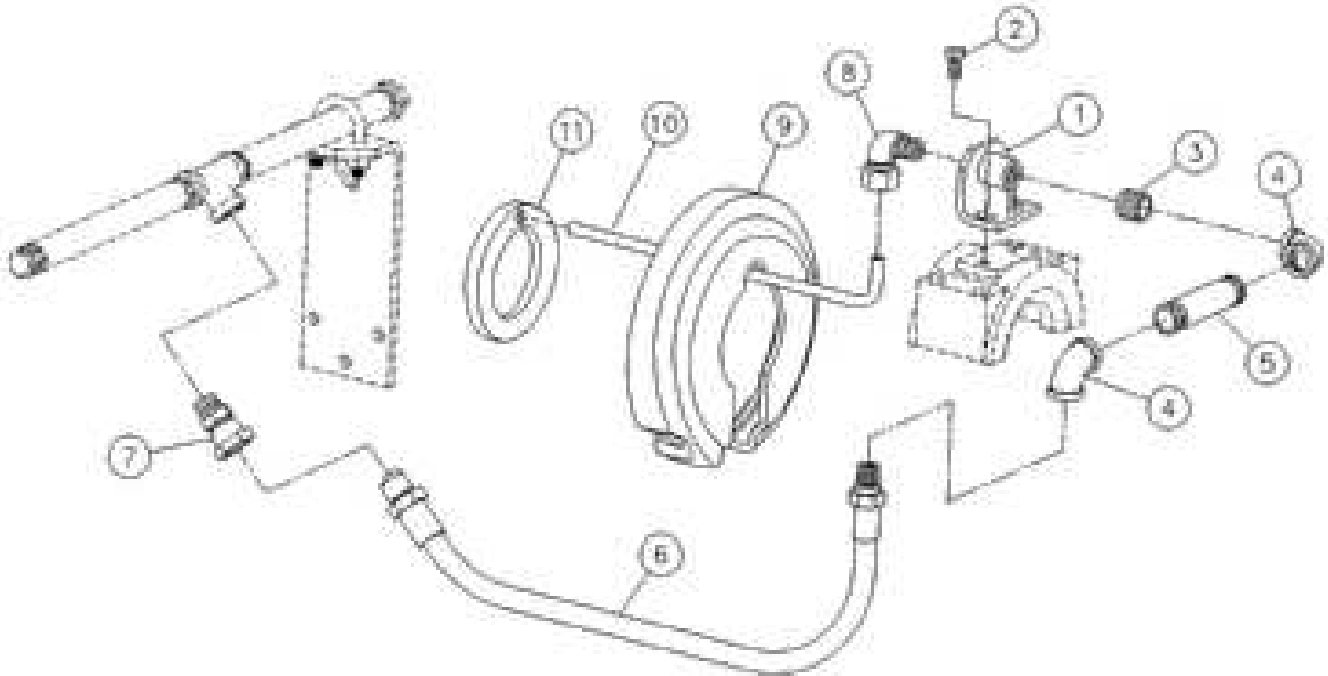
Order by Part Number and Description. Reference Numbers for your convenience only.

**PISTON ROD WASH PIPING
(High Pressure Service – 7500 PSI)**

Ref No.	Name of Part	Qty.	Part No.	Ref No.	Name of Part	Qty.	Part No.
1	TANK, Rod Wash Recovery.....	1	200PZL250	21	SCREW-SET, Sheave.....	2	76F30
2	COVER, Rod Wash Tank.....	1	2012655	22	BELT	1	13C79
3	NUT-WING.....	2	50H1	23	ADAPTOR-HOSE.....	1	29Q10
4	SCREW, Rod Wash Tank to Skid	4	75LM268	24	HYDRAULIC HOSE ASSEMBLY	1	2009270
5	PLUG-PIPE	1	64A6	25	ADAPTOR-HOSE.....	1	20Q27
6	PLUG-PIPE	2	64A7	26	REDUCER-PIPE	1	64N3
7	SCREEN-OIL	1	2WAJ511	27	NIPPLE-PIPE	1	63G1
8	NIPPLE-PIPE	1	63H25	28	VALVE, Ball.....	1	90A35
9	UNION-HAMMER	1	64EB1	29	NIPPLE-PIPE	1	63G1
10	NIPPLE-PIPE	3	63H25	30	ELBOW-PIPE	1	64C5
11	VALVE, Ball.....	2	90AR299	31	NIPPLE-PIPE	1	63G19
12	TEE-PIPE.....	1	64G8G	32	TEE-PIPE	3	64P39
13	ADAPTOR-HOSE	1	29Q9	33	NIPPLE-PIPE	2	63N12X190
14	HYDRAULIC HOSE ASSEMBLY	1	29Z7	34	NIPPLE-PIPE	1	63N12X200
15	PUMP, Rod Wash, (See Page 24)			35	CAP-PIPE	1	64AD5
	Includes Reference Number 17.....	1	CA122	36	BRACKET, Rod Wash Manifold	2	301PZL017
16	SCREW, Rod Wash Pump to Skid.....	4	75LM51	37	SCREW.....	6	75LM51
17	KEY	1	35B4	38	U-BOLT	2	123684
18	BUSHING-SHEAVE	1	22E16B	39	NUT.....	4	50AQ3
19	SHEAVE	1	73K1A30	40	NIPPLE-PIPE	1	63L28
20	SHEAVE ASSEMBLY, Includes Reference Number 21.....	1	200PZL195A	41	ELBOW-PIPE	1	64C9
				42	NIPPLE-PIPE	1	63AJ32X60

Order by Part Number and Description. Reference Numbers for your convenience only.

INDIVIDUAL PISTON ROD WASH ASSEMBLY – 7500 PSI

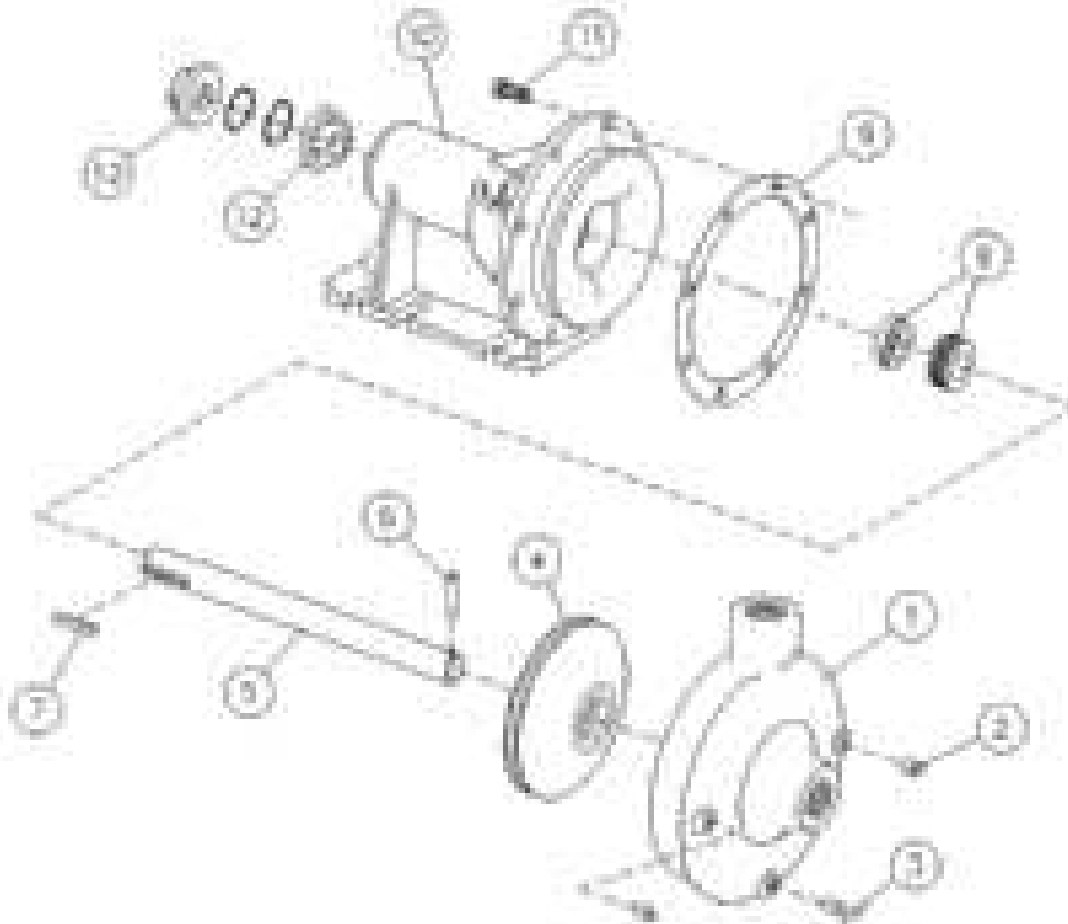


Ref Drawing 330PZL810

Ref. No.	Name of Part	Qty.	Part No.
1	BRACKET	3	300PZL017
2	SCREW.....	6	75LM150
3	NIPPLE-PIPE.....	3	63F33
4	ELBOW-PIPE.....	6	64C4
5	NIPPLE-PIPE	3	63F6
6	HYDRAULIC HOSE ASSEMBLY	3	29R29
7	ADAPTOR-HOSE	3	29Q6
8	FITTING-TUBE	3	86M18
9	BAFFLE	3	300PZL237
10	TUBE-FORMED.....	3	300PZL857
11	RING, Water Distribution	3	300PZL461

Order by Part Number and Description. Reference Numbers for your convenience only.

PISTON ROD WASH PUMP

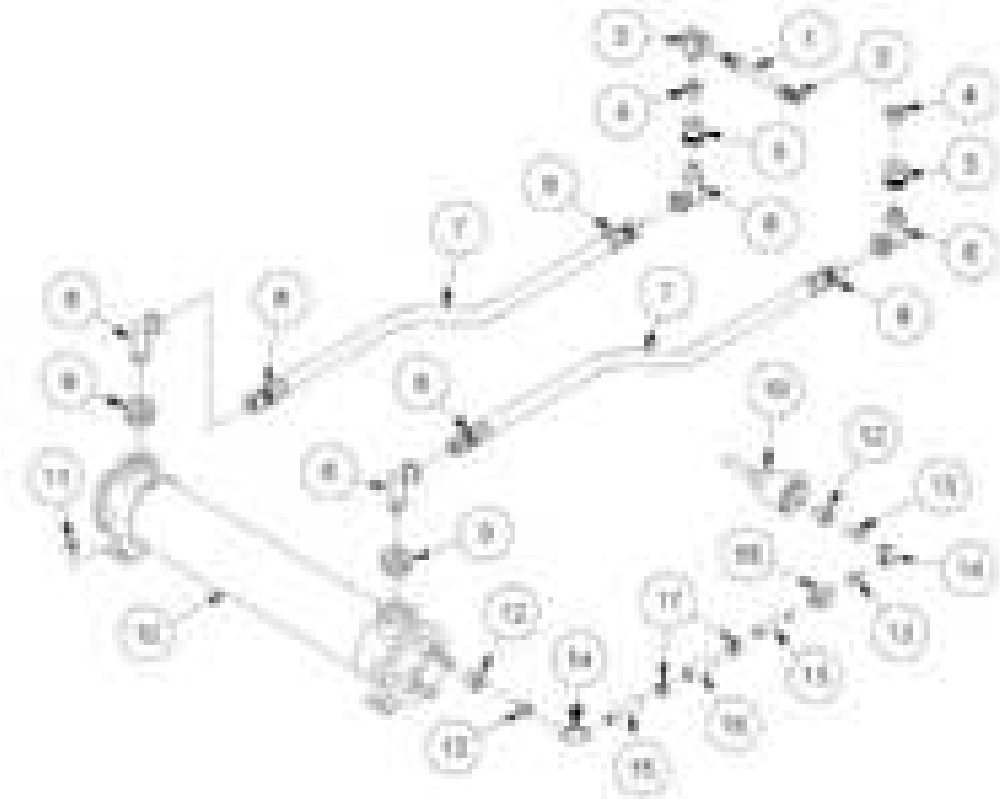


Ref Drawing – 328PZL810

Ref. No.	Name of Part	Qty.	Part No.
	PUMP ASSEMBLY, Includes All Parts Shown	1	CA122
1	HOUSING, Impeller	1	C1K2A1
2	PLUG-PIPE	2	64AA6
3	COCK, Drain	1	90C31
	IMPELLER ASSEMBLY, Includes Items 4, 5 & 6	1	C1K1A1A
4	IMPELLER	1	C1K1A1
5	SHAFT	1	C1H5C1
6	PIN	1	62R140
7	KEY	1	35B4
8	PACKING-SEAL	1	60BT11
9	GASKET	1	25D212
10	FRAME	1	C1H4A2
11	SCREW.....	8	75A130
12	BEARING, Inner & Outer That Includes Snap Rings.....	2	12AK3

Order by Part Number and Description. Reference Numbers for your convenience only.

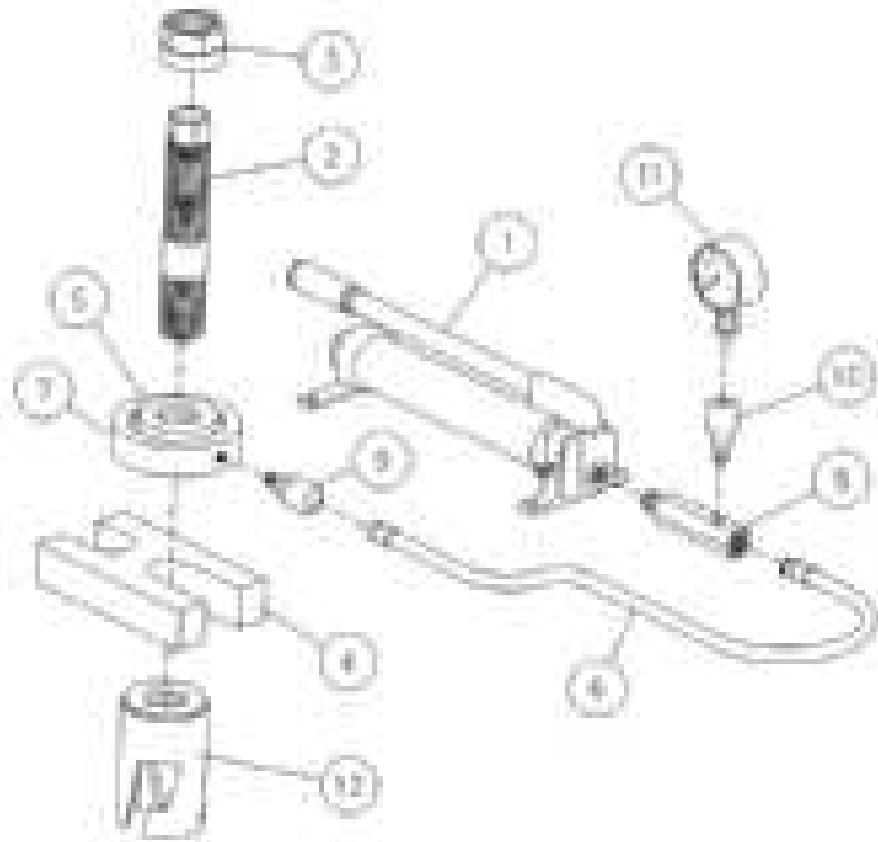
HEAT EXCHANGER GROUP (Optional)



Ref Drawing – 331PZL810

Ref No.	Name of Part	Qty.	Part No.
	HEAT EXCHANGER GROUP, Includes All Parts Shown		
1	HOSE, Hydraulic.....	1	R5F
2	COUPLING, Hose.....	2	29Q158
3	ADAPTOR, Hose	1	29Q17
4	BUSHING-PIPE	2	64E16
5	CONNECTOR, Frame	2	78AUX113
6	ADAPTOR, Hose	4	29Q10
7	HOSE, Hydraulic.....	2 – 7 FT	R5G
8	COUPLING, Hose.....	4	29Z83
9	BUSHING-PIPE	2	64E11
10	HEAT EXCHANGER	1	2013457
11	SCREW.....	4	75LM268
12	BUSHING-PIPE	2	64E29
13	NIPPLE-PIPE	3	63F21
14	ELBOW-PIPE.....	2	64C4
15	NIPPLE-PIPE.....	2	63AJ8X40
16	HOSE, Oil Proof.....	4 FT	R14G
17	CLAMP, Hose	2	29B31
18	UNION-PIPE	1	64Z3
19	VALVE, Thermostat	1	90K165
	PLUG (zinc), Protective (Not Shown)	1	2008076

Order by Part Number and Description. Reference Numbers for your convenience only.



Ref Drawing – 316PZG797

VALVE SEAT PULLER (OPTIONAL)

Ref No.	Name of Part	Qty.	Part No.
	VALVE SEAT PULLER ASSEMBLY	1	100E12
	Includes Items 1 thru 11, plus Carrying Case		
1	JACK, Hydraulic.....	1	2116728
2	STEM, Center	1	2117314
3	NUT, Center Stem	1	2117315
4	BASE, Puller H Bar	1	2116727
5	BUSHING, Center.....	1	2117316
*	BUSHING, Center.....	1	2117317
6	HYDRAULIC HOSE	1	2117318
7	PUMP, Hydraulic.....	1	2117319
8	ADAPTOR, Gauge.....	1	2117320
9	COUPLER, Quick	1	2117321
10	COUPLER, Gauge.....	1	2117322
11	GUAGE, 170 Ton.....	1	2117323
*	CARRYING CASE	1	2117055
*	Puller heads are not included with 100E12 assembly.		
** 12	PULLER HEAD, for Center Guided Valve Seat.....	1	100E13
*	PULLER HEAD, for Full Opening Valve Seat.....	1	300PZL219
*	Not Shown		
**	Shown on Drawing		

Order by Part Number and Description. Reference Numbers for your convenience only.

OPTIONAL EQUIPMENT

Name of Part	Qty.	Part No.
BAR, Valve Cover Tightening.....	1	62L62
PIN, Valve Cover Tightening Bar	1	2009526
HYDRIL DAMPENER (K20-5000).....	1	186511
HOSE, For Charging HYDRIL Dampener	1	200OPA127
TOOL, Piston Rod Nut Removal	1	200PZL074
PRESSURE GAUGE GROUP, Includes Next 3 Items:.....	1	PZL75283
GAUGE (0 - 6000 PSI).....	1	27P70
NIPPLE	1	63V32X60
ELBOW	1	64EB241
PRESSURE RELIEF VALVE GROUP, Includes Next 4 Items:	1	PZL75284
PRESSURE RELIEF VALVE, Shear Type (500 to 5000 PSI).....	1	5829653
NIPPLE-PIPE	1	63V48X60
ELBOW-PIPE	1	64EB242
ELBOW, STREET	1	64D14
DISCHARGE BLOCK GROUP, Includes:		
DISCHARGE BLOCK GROUP	1	PZL74435
DISCHARGE BLOCK GROUP, Includes Next 6 Items:	1	301PZG4067
GASKET	2	25V24
GASKET	2	25V17
FLANGE	1	191161
FLANGE	1	64EB240
FLANGE	1	64EB50
DISCHARGE BLOCK ASSEMBLY, Includes Next 5 Items:	1	300PZG4067
DISCHARGE BLOCK	1	205PZL231
STUD	24	206PZL110
NUT	24	50AW11
STUD	16	208PZL110
NUT	16	50AW13
SUPPORT GROUP ASSEMBLY, Includes Next 3 Items:.....	2	PZL75278
SUPPORT	2	201845T6
BASE.....	1	195100
BASE.....	2	5015475

GARDNER DENVER PUMP UNIT RECORD

The following unit identification plate is provided as a convenience to you, our valued Gardner Denver customer. Please take the time to copy all the information from the actual nameplate on your unit. The model number, date manufactured and serial number will be required when contacting the company or your distributor for information or replacement parts.

DANGER-READ INSTRUCTION MANUAL BEFORE MOVING OR OPERATING UNIT						
MODEL			DATE			REVISED
SE NO.			BY			DATE
SERVICE	START	DATE	STOP	START	DATE	STOP
OPERATOR						
REPLACEMENT & PRELUBE OF OILS SEE SEE IN MANUAL FOR ADDITIONAL SPECIFICATIONS						
TYPE						
SIZE						
PSI						
REPLACEMENT & PRELUBE OF OILS SEE SEE IN MANUAL FOR ADDITIONAL SPECIFICATIONS						
TYPE						
REPLACEMENT & PRELUBE OF OILS SEE SEE IN MANUAL FOR ADDITIONAL SPECIFICATIONS						
Gardner Denver			REVISION			
GARDNER DENVER PUMP UNIT RECORD			REVISED			
REPLACEMENT & PRELUBE OF OILS SEE SEE IN MANUAL FOR ADDITIONAL SPECIFICATIONS						

Gardner Denver

Specifications subject to change without notice.
Copyright © 2006 Gardner Denver, Inc. DJC Litho in U.S.A.
<http://www.gardnerdenver.com> pumps@gardnerdenver.com



For additional information contact your local distributor or

Gardner Denver - Fluid Transfer Division,
1800 Gardner Expressway, Quincy, Illinois 62301
Customer Service Department Telephone:
(800) 682-9868 FAX: (217) 223-1581

For Domestic parts information Contact:
Gardner Denver – Fluid Transfer Division,
2200 South Prospect, Oklahoma City, OK. 73129
Telephone: (405) 677-5736 FAX: (405) 677-5807